

BALTOGRAPH TSD320/2

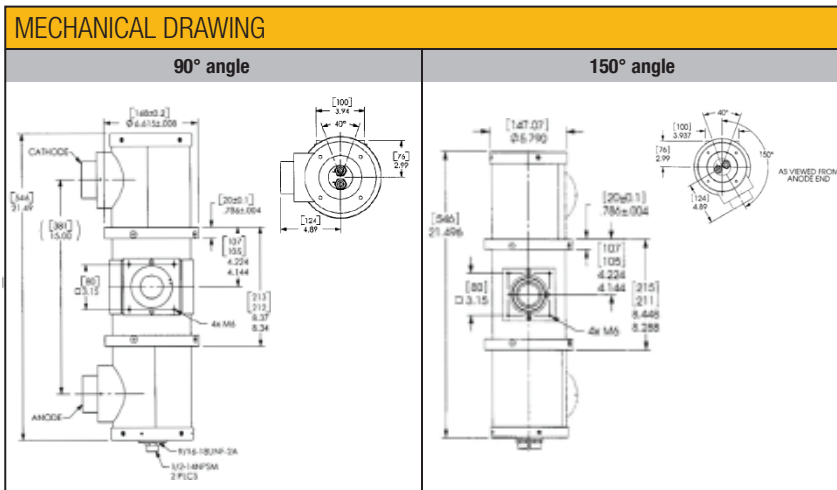


Max high voltage:	320 kV
Nominal power:	640 / 1600
Focal spot size (EN12543):	1,9 - 3,6
Beam angle:	40°
Target angle:	20°
Inherent Filtration (mm):	≤ 4 Be
Anode cooling type:	Oil
Cooling flow rate:	14l/min
Leakage:	≤ 10 mSv/h@1m
Max current:	9 / 20 mA
Weight :	40 kg
Tubehead:	Metal Ceramic

The TSD320/2 is a compromise of power and small size filaments. If the need of power is lower than 1,6 kW, this tube will help you gaining definition in medium to heavy walled applications. Equipped with two independent filaments, this tube allows you to drive up to 1,6 kW on the large filament while the small size filament will give you enough power to perform the majority of higher definition applications even at 320 kV.

The tube shielding is internal and reduces the radiation leakage to less than 1 R/h @ 1 m as required by International standards. In and out fluid inlets are mounted with universal connectors while the two HV plug cones are R24.

This tube can be used with all brands of generators provided that the load curve can be adapted. See our specialists if you intend to connect this tube to another unit than a BALTEAU.



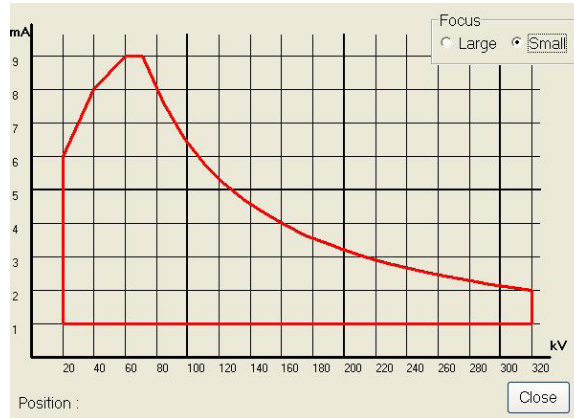
Specifications

Max. High voltage	kV	320	Nominal power	W	640/1600
Tube type		Metal Ceramic	Inherent filtration	mm	≤ 4 Be
Beam angle		40°	Target angle		20°
Cooling mode		Oil	Leakage *	mSv/h @1m	≤ 10
HV Connector		R24	Cooling flow rate	l/min	14
Part number		04840050	Weight	Kg	40

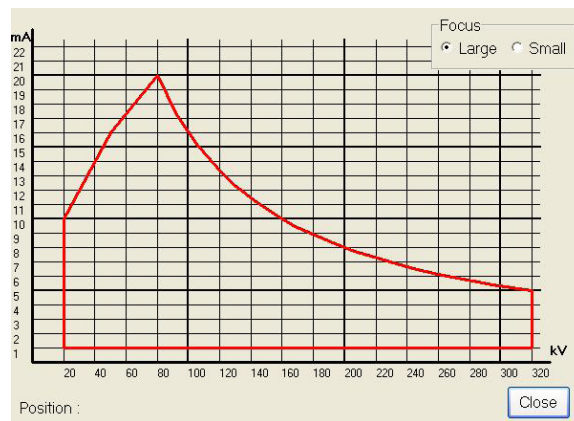
Small Focal			Large Focal		
Max. Current @ kV Max.	mA	2	Max. Current @ kV Max.	mA	5
Focal spot EN12543	d	1,9	Focal spot EN12543	d	3,6
Max. Current	mA	9	Max. Current	mA	20

* Leakage radiation max at 1m in mSv/h at nominal kV

Load curves



SMALL FOCAL



LARGE FOCAL

Load curves are indicative as they display the theoretical capacity of the target that may be modified by the HV generator connected and/or by user's settings. Please consult our engineers for up to date information and data related to your generator.

STANDARD EQUIPMENT

Part designation

- Oil hose connector 1/2"
- Oil quick connector

OPTIONAL ACCESSORIES

Part designation

- Quick flanges with key
- Tube Accessories Support
- Lead shutter
- Universal Trolley Stand
- Tube collimator

Contact details

Balteau NDT

Rue Voie de Liège, 12
B-4681 Hermalle Sous Argenteau
Belgium

www.balteau.com
balteau@balteau.com
Tel. +32 (0) 4 374 75 75
Fax +32 (0) 4 374 75 85

Distributed by:

