

## BALTOGRAPH TSD320/0

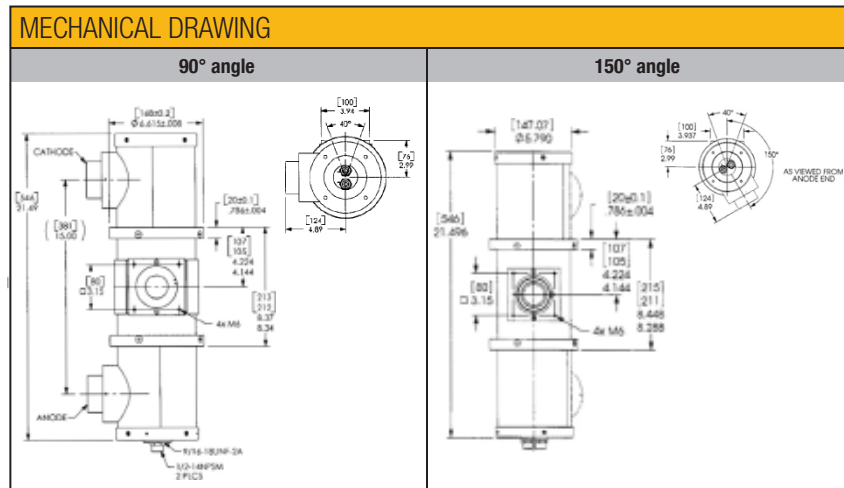


Max high voltage:	<b>320 kV</b>
Nominal power:	<b>1500 / 4200</b>
Focal spot size (EN12543):	<b>3 - 5,5</b>
Beam angle:	<b>40°</b>
Target angle:	<b>20°</b>
Inherent Filtration (mm):	<b>≤ 4 Be</b>
Anode cooling type:	<b>Oil</b>
Cooling flow rate:	<b>14l/min</b>
Leakage:	<b>5mSv/h@1m</b>
Max current:	<b>15 / 30 mA</b>
Weight :	<b>≤ 41 kg</b>
Tubehead:	<b>Metal Ceramic</b>

The TSD320/0 is the first tube of the Bipolar range. This tube has a big amount of power available and is designed for medium to heavy walled steel thicknesses applications. Driven by the adequate generator it can also be used in light alloys and composites materials. With a power of up to 4 kW on the large filament this tube helps you reducing your film exposures durations or achieve superior thicknesses in reduced times. The second filament will provide an alternative for higher definition radiographies or radiosopic applications.

The tube shielding is internal and reduces the radiation leakage to less than 1 R/h @ 1 m as required by International standards. In and out fluid inlets are mounted with universal connectors while the two HV plug cones are R24.

This tube can be used with all brands of generators provided that the load curve can be adapted. See our specialists if you intend to connect this tube to another unit than a BALTEAU.



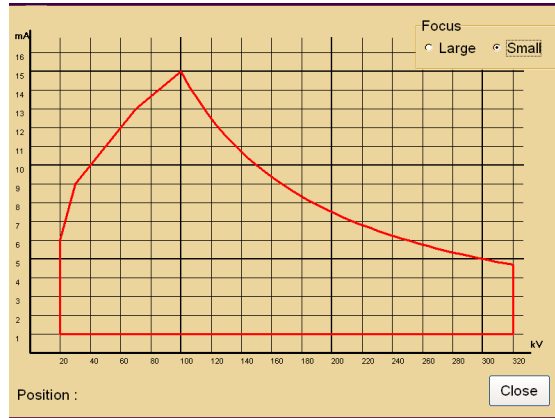
### Specifications

Max. High voltage	kV	320	Nominal power	W	1500/4200
Tube type		Metal Ceramic	Inherent filtration	mm	≤ 4 Be
Beam angle		40°	Target angle		20°
Cooling mode		Oil	Leakage *	mSv/h @1m	5
HV Connector		R24	Cooling flow rate	l/min	14
Part number		04841150	Weight	Kg	≤ 41

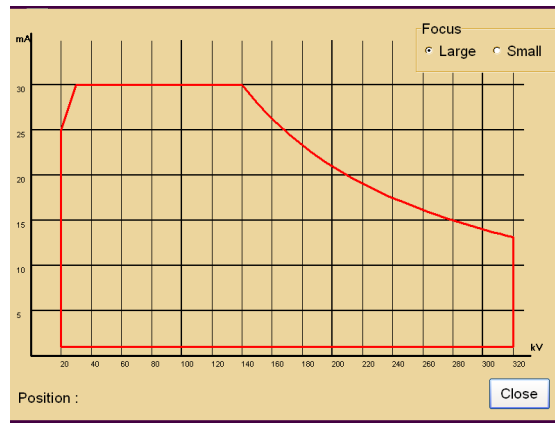
Small Focal			Large Focal		
Max. Current @ kV Max.	mA	4,5	Max. Current @ kV Max.	mA	13
Focal spot EN12543	d	3	Focal spot EN12543	d	5,5
Max. Current	mA	15	Max. Current	mA	30

\* Leakage radiation max at 1m in mSv/h at nominal kV

**Load curves**



**SMALL FOCAL**



**LARGE FOCAL**

*Load curves are indicative as they display the theoretical capacity of the target that may be modified by the HV generator connected and/or by user's settings. Please consult our engineers for up to date information and data related to your generator.*

**STANDARD EQUIPMENT**

**Part designation**

- Oil hose connector 1/2"
- Oil quick connector

**OPTIONAL ACCESSORIES**

**Part designation**

- Quick flanges with key
- Tube Accessories Support
- Lead shutter
- Universal Trolley Stand
- Tube collimator

**Contact details**

**Balteau NDT**  
 Rue Voie de Liège, 12  
 B-4681 Hermalle Sous Argenteau  
 Belgium

www.balteau.com  
 balteau@balteau.com  
 Tel. +32 (0) 4 374 75 75  
 Fax +32 (0) 4 374 75 85

**Distributed by:**

