

BALTOGRAPH TSD225/3



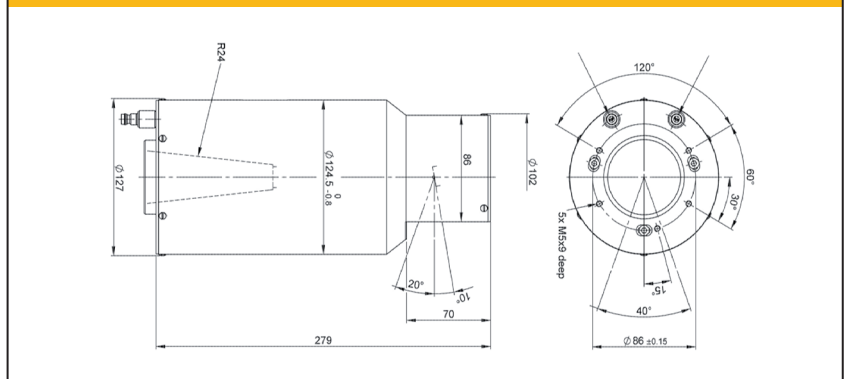
Max high voltage:	225 kV
Nominal power:	800 / 1800
Focal spot size (EN12543):	0,4 - 1
Beam angle:	40° x 30°
Target angle:	11°
Inherent Filtration (mm):	0,8 Be
Anode cooling type:	Water
Cooling flow rate:	4l/min
Leakage:	10mSv/h@1m
Max current:	14,5 / 30 mA
Weight :	11 kg
Tubehead:	Metal Ceramic

The TSD225/3 is a very small focus dual filament monopolar tube for light alloys, composites or small steel thicknesses. The extremely small size of the small filament is designed for applications with magnifications or where definition is of first importance. This tube can be the ideal replacement of a μ Focus solution if the dose output of the μ Focus is not sufficient to cancel the natural noise of X-ray photons. This tube is perfectly adapted to Radioscopy applications or low power generators.

Slightly larger than a 160 tube, the housing diameter is only 124 mm which will ensure that the tube can still be inserted even in tiny spaces. The tube shielding is internal and reduces the radiation leakage to less than 1 R/h @ 1 m as required by International standards. In and out fluid inlets are mounted with universal connectors while the HV plug cone is a R24.

This tube can be used with all brands of generators provided that the load curve can be adapted. See our specialists if you intend to connect this tube to another unit than a BALTEAU.

MECHANICAL DRAWING



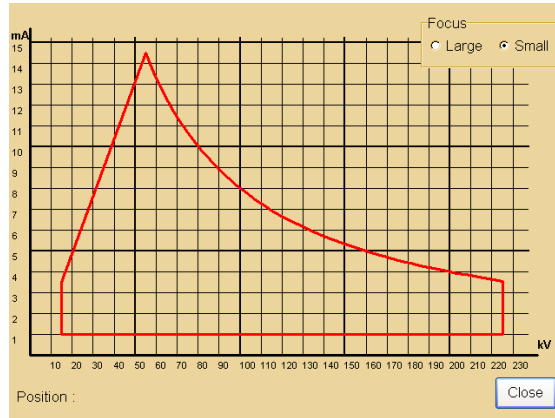
Specifications

Max. High voltage	kV	225	Nominal power	W	800/1800
Tube type		Metal Ceramic	Inherent filtration	mm	0,8 Be
Beam angle		40° x 30°	Target angle		11°
Cooling mode		Water	Leakage *	mSv/h @1m	10
HV Connector		R24	Cooling flow rate	l/min	4
Part number		04840270	Weight	Kg	11

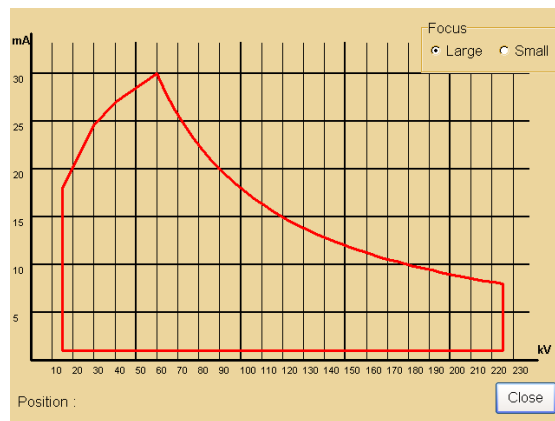
Small Focal			Large Focal		
Max. Current @ kV Max.	mA	3,5	Max. Current @ kV Max.	mA	8
Focal spot EN12543	d	0,4**	Focal spot EN12543	d	1
Max. Current	mA	14,5	Max. Current	mA	30

* Leakage radiation max at 1m in mSv/h at nominal kV
 ** 30% Threshold

Load curves



SMALL FOCAL



LARGE FOCAL

Load curves are indicative as they display the theoretical capacity of the target that may be modified by the HV generator connected and/or by user's settings. Please consult our engineers for up to date information and data related to your generator.

STANDARD EQUIPMENT

Part designation

Fittings for water hose connections d=8 and d=12 mm

OPTIONAL ACCESSORIES

Part designation

Quick flanges with key

Tube Accessories Support

Lead shutter

Four legs stand

Tube collimator

Contact details

Balteau NDT

Rue Voie de Liège, 12
B-4681 Hermalle Sous Argenteau
Belgium

www.balteau.com

balteau@balteau.com

Tel. +32 (0) 4 374 75 75

Fax +32 (0) 4 374 75 85

Distributed by:

