

BALTOGRAPH TSD160/1



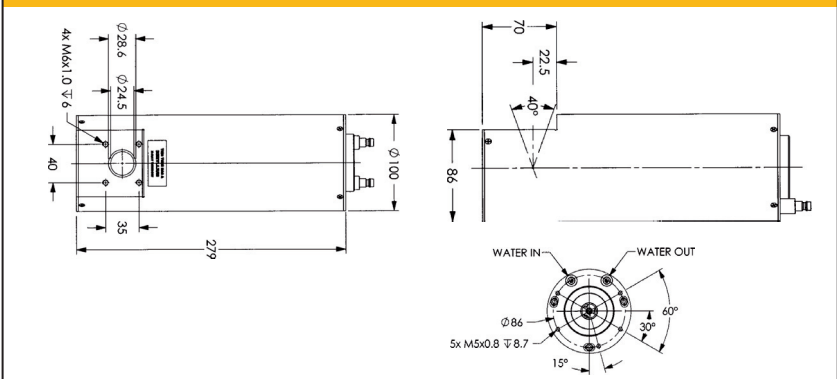
Max high voltage:	160 kV
Nominal power:	640 / 1600
Focal spot size (EN12543):	1 - 3
Beam angle:	40°
Target angle:	20°
Inherent Filtration (mm):	0,8 Be
Anode cooling type:	Water
Cooling flow rate:	4l/min
Leakage:	2,5mSv/h@1m
Max current:	15 / 40 mA
Weight :	8 kg
Tubehead:	Metal Ceramic

The TSD160/1 is a universal Monopolar tube for light alloys, composites or small steel thicknesses. This tube is a compromise between a very fine and a fine focus application and is generally selected by users whose applications are not requiring a very high dose output either because distances to detector are generally short or because materials are not thick or very dense. This tube is perfectly adapted to Radioscopy applications or low power generators (< 1,6 kW).

The outside diameter of the housing is barely 100 mm which will ensure that the tube can be inserted even in tiny spaces. The tube shielding is internal and reduces the radiation leakage to less than 1 R/h @ 1 m as required by International standards. In and out fluid inlets are mounted with universal connectors while the HV plug cone is a R24.

This tube can be used with all brands of generators provided that the load curve can be adapted. See our specialists if you intend to connect this tube to another unit than a BALTEAU.

MECHANICAL DRAWING



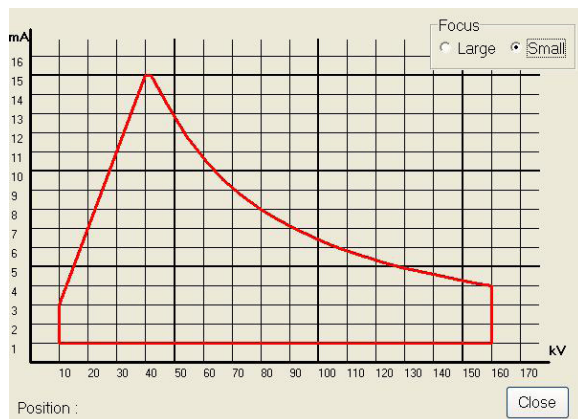
Specifications

Max. High voltage	kV	160	Nominal power	W	640/1600
Tube type		Metal Ceramic	Inherent filtration	mm	0,8 Be
Beam angle		40°	Target angle		20°
Cooling mode		Water	Leakage *	mSv/h @1m	2,5
HV Connector		R24	Cooling flow rate	l/min	4
Part number		04841200	Weight	Kg	8

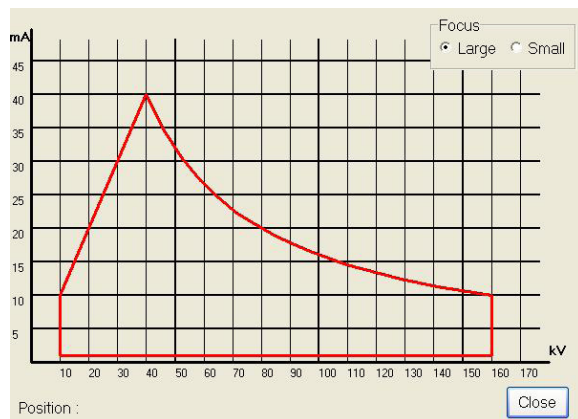
Small Focal			Large Focal		
Max. Current @ kV Max.	mA	4	Max. Current @ kV Max.	mA	10
Focal spot EN12543	d	1	Focal spot EN12543	d	3
Max. Current	mA	15	Max. Current	mA	40

* Leakage radiation max at 1m in mSv/h at nominal kV

Load curves



SMALL FOCAL



LARGE FOCAL

Load curves are indicative as they display the theoretical capacity of the target that may be modified by the HV generator connected and/or by user's settings. Please consult our engineers for up to date information and data related to your generator.

STANDARD EQUIPMENT

Part designation

Fittings for water hose connections d=8 and d=12 mm

OPTIONAL ACCESSORIES

Part designation

- Quick flanges with key
- Tube Accessories Support
- Lead shutter
- Four legs stand
- Tube collimator

Contact details

Balteau NDT
 Rue Voie de Liège, 12
 B-4681 Hermalle Sous Argenteau
 Belgium

www.balteau.com
 balteau@balteau.com
 Tel. +32 (0) 4 374 75 75
 Fax +32 (0) 4 374 75 85

Distributed by:

