

**BALTOSPOTGFC165**



High voltage range:	<b>50 to 160kV</b>
Tube current range:	<b>1 to 5 mA</b>
Beam angle:	<b>360° x 40°</b>
Inherent Filtration (mm):	<b>7 Al</b>
Anode cooling type:	<b>Air</b>
Duty cycle:	<b>100%**</b>
Insulation:	<b>SF6 gas</b>
Mains:	<b>180 - 260V</b>
Temp. switch:	<b>70°C</b>
Weight (without rings):	<b>12,3 kg</b>
Tubehead:	<b>Glass</b>
Control Unit:	<b>CF2000 or Hand-X</b>

**MAIN FEATURES**

- High frequency
- Air cooled
- Panoramic tubehead
- Unique energy recovery module
- Rugged and light control unit
- Safety first, x-ray start with 2 buttons
- Full automatic preheating
- Cables with reduced size and weight
- Extremely compact & lightweight
- Factory set beam homogeneity
- Low power requirement



Canon mil. metallic connector

**KEY ADVANTAGES**

- High stability output dose
- Lightweight
- Can be delivered with our 900g Hand-X including a Geiger-Müller detector
- Low power consumption
- Unmatched safety
- Very reliable
- Long term stable density
- Ergonomic guard rings
- CANON mil. metallic connectors

**MOST COMMON APPLICATIONS**

- Oil & Gas
- Shipyard building & Building sites
- Petrochemical & Power plants
- Tanks, reservoirs & pressure vessels
- Inspection companies & training centers
- Conventional films or CR applications



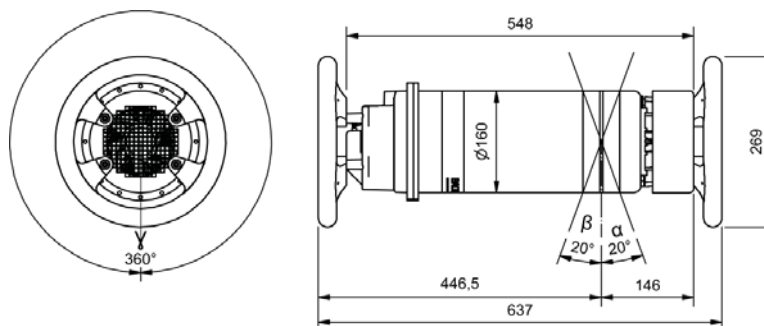
*The GFC165 is a panoramic portable unit derived from our well known Crawler series but designed to be operated on field without mechanical carriage.*

*It will easily surpass the poor contrast of Isotopes and will be a very interesting replacement in lower thickness ranges where Isotopes are generally not allowed.*

*In combination with a GFD (Directional) or a CERAM, the GFC165 is the ideal machine for field applications where the unit needs to be frequently moved or inserted in tiny spaces. Guard rings can be removed and a cradle can be used to perform difficult inspections.*



**MECHANICAL DRAWING**



*This unit has to be combined to one of the two available type of control units (CF2000 or Hand X), with very lightweight new generation of cables..*

**INTERNATIONAL**

- CE certified
- NFC74-100 LCIE Certified
- Manufactured under ISO9001

Specifications	Units	GFC165
High voltage range:	kV	50 - 160
Tube current range:	mA	1 - 5
Maximum anode power dissipation:	Watt	800
Beam angle:		360° x 40°
Focal spot size (IEC336):	mm	Ø4 x 0.9
Steel penetration at max (*):	mm	14
Max recommended temp.:	°C	50°
Temperature switch:	°C	70°
Inherent filtration:	mm (Al)	7
Anode cooling type:		Air
Duty cycle:	%	100**
Mains:	V	180 - 260
Weight (without rings):	Kg	12,3
Tubehead:		Glass
Control unit:		CF2000 or Hand-X

\* FFD= 700mm/Film Carestream Industrex AA400/D=2.0/t=10min.

\*\*At a temperature of 30°C reduced mA.



## CF2000

- kV min step: **1**
- mA min step: **0,1**
- Time min step: **1 sec up to 99min 59sec**
- Memories: **100 last exposure/memories**
- Display: **4 lines, green back lighting**
- Mains: **170-260 V**
- Weight: **12,5kg**

### STANDARD EQUIPMENT

- Internal pressure gauge
- Heavy duty lock type connector
- 20m connecting cable for control unit
- 10m power cable
- Heavy duty hand rings
- Bag for accessories



## Hand-X (Wireless remote control)

- kV min step: **1**
- mA min step: **0,1**
- Time min step: **1 sec up to 99min 59sec**
- Memories: **100 last exposure/memories**
- Display: **4 lines, green back lighting**
- Battery: **8h charge capacity**
- Weight: **900g**

### OPTIONAL EQUIPMENT

- AVARA/P
- Warning flashing light & repeater
- Transport case
- Cradle
- Hydraulic stand
- 100-260 V adapter
- Ring lead screen allowing directional shot
- Telescopic centering rods

### Produced by:

#### Balteau NDT

Rue Voie de Liège, 12  
B-4681 Hermalle Sous Argenteau  
Belgium

www.balteau.com

balteau@balteau.com

Tel. +32 (0) 4 374 75 75

Fax +32 (0) 4 374 75 85

### Distributed by:

